

Small Screw Cover DSC Junction Boxes



Application

For indoor or outdoor use as electrical junction and terminal wiring boxes. Designed to provide protection from dust, dirt, oil, hose-directed water, and temporary submersion.

Construction

- Drawn 16 gauge steel; no welded seams or sharp corners
- No holes or conduit knockouts
- Flanged cover
- Cover screws thread into box outside gasket line to prevent leakage through cover screw holes
- Oil-resistant gasket and adhesive
- External wall-mounting brackets are 14 gauge steel

Finish

ANSI 61 gray polyester powder paint inside and out over phosphatized surfaces.

Industry Standards

UL 508A, File No. E61997: Type 4, 6, 12, and 13
NEMA Type 4, 6, 12, and 13
CSA, File No. 42186: Type 4, 12, and 13
IEC 60529, IP67

Accessories

See also *Accessories* chapter.
Touch-Up Paint (ATPPY61)

Modification Services Program

You can customize this product to your unique requirements by specifying from these options:

- Over 100 standard finish colors and textures
- Delete mounting brackets

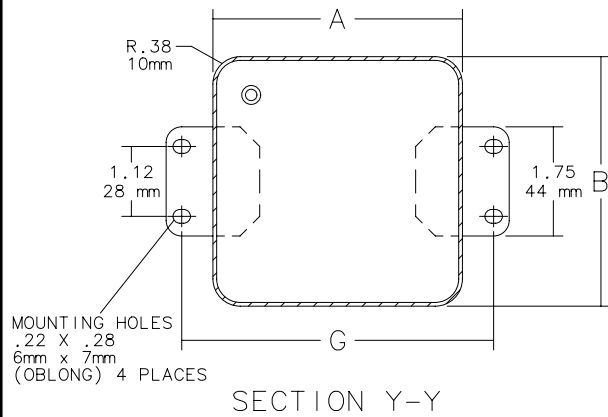
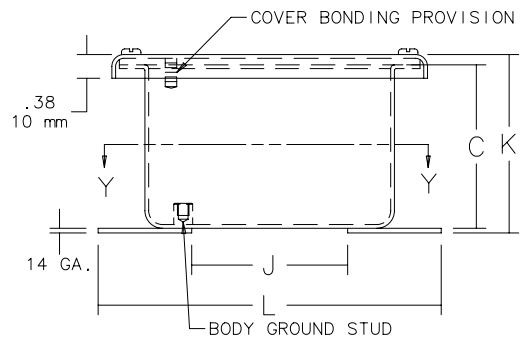
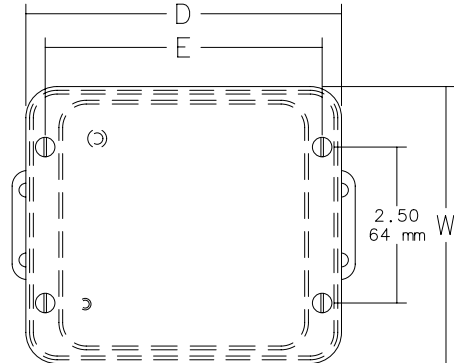
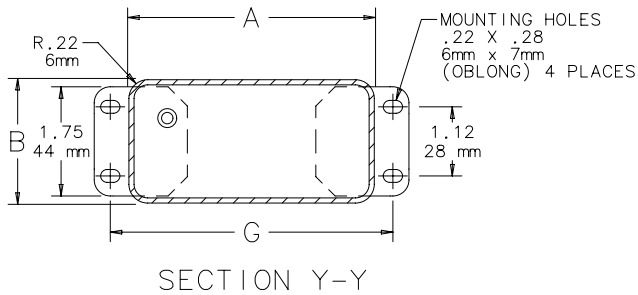
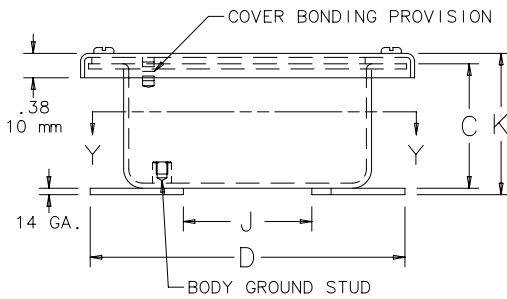
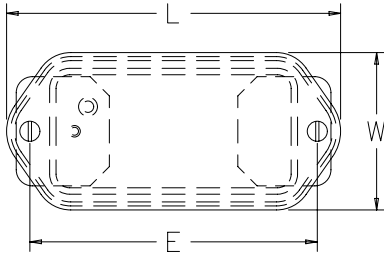
To order, contact your local Hoffman sales representative.

NOTE: For information about modifications outside the scope of the Modification Services program, contact your Hoffman sales representative.

Standard Sizes Small Screw Cover DSC Junction Boxes

Catalog Number	A x B x C in. (mm)	Interior Volume (cubic in.)	Mounting G (in.)	Mounting G (mm)	Overall L x W (in.)	Overall L x W (mm)	D (in.)	D (mm)	E (in.)	E (in.)	J (in.)	J (mm)	K (in.)	K (mm)
A402DSC	4.00 x 2.00 x 2.00 (102 x 51 x 51)	13.9	4.50	114	5.06 x 2.44	129 x 62	5.00	127	4.44	113	2.00	51	2.24	57
A403DSC	4.50 x 2.88 x 2.62 (114 x 73 x 67)	30.7	5.00	127	5.56 x 3.31	141 x 84	5.50	140	4.94	125	2.50	64	2.86	73
A404DSC	4.00 x 4.00 x 2.62 (102 x 102 x 37)	38.2	5.00	127	5.50 x 4.44	140 x 113	5.06	129	4.44	113	2.50	64	2.86	73

Small Screw Cover DSC Junction Boxes



C2472-C

**Industrial
Enclosures**